



INFINITY PRIMUS® SPEAKERS

Owner's Guide

P142

P152

P162

P252

P362

PC250

PC350



INFINITY PRIMUS® SERIES

The Primus series of loudspeakers continues Infinity's longstanding commitment to accurate sound reproduction. Our proprietary Metal Matrix Diaphragm™ (MMD®) drivers, precision dividing networks, and rigid, well-braced enclosures combine to deliver uncompromised performance in any stereo or multichannel home theater system. In addition, Primus series speakers are magnetically shielded for safe placement adjacent to a television.

UNPACKING THE SPEAKERS

If you suspect damage from transit, report it immediately to your dealer. Keep the shipping carton and packing materials for future use.

PLACEMENT

Stereo

Before deciding where to place your Primus speakers, survey your room and think about placement, keeping the following points in mind, using Figure 1 as a guide:

- For best results, place the speakers 6'–8' apart.
- Position each speaker so that the tweeter is approximately at ear level.
- Generally, bass output will increase as the speaker is moved closer to a wall or corner.
- Refer to the "Home Theater" section if you also plan to use the speakers for home theater reproduction.

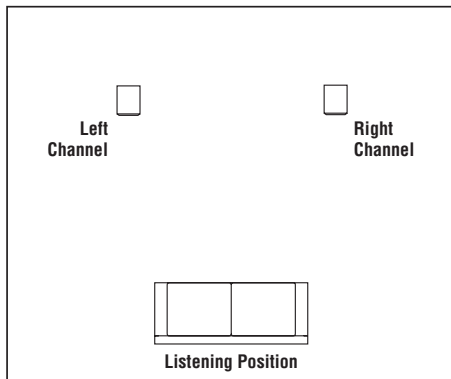


Figure 1. Experiment with speaker placement to obtain the best bass level and stereo imaging in your room.

Home Theater

For front-channel use, place one speaker on the left and another on the right, along either side of the television monitor. Since the speakers are magnetically shielded, you can place them without worrying about the field distorting the TV picture.

For surround use, place speakers alongside the listening position. Final placement depends on room acoustics, availability of space, and your listening preference (Figures 2 and 3).

The center channel speaker should be placed on top of or directly below the television and aimed toward the listening area.

NOTE: An Infinity powered subwoofer will add impact and realism to both music and film soundtracks. Contact your Infinity dealer for recommendations on subwoofer models for your application.

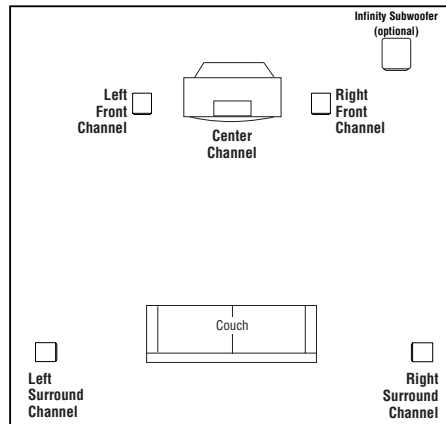


Figure 2. This overhead view shows a typical home theater plan. Left/right rear channels are for a 7-channel system. Center rear channel is for a 6-channel system.

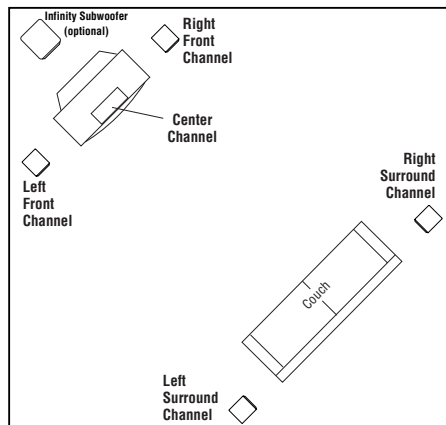


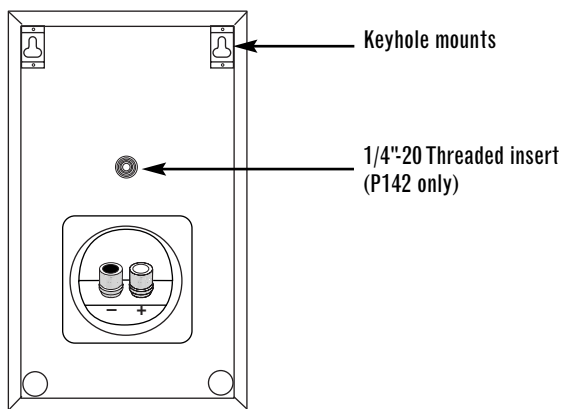
Figure 3. This figure shows an alternate layout, which may be more suitable for some rooms. Left/right rear channels are for a 7-channel system. Center rear channel is for a 6-channel system.

WALL-MOUNTING THE P142, P152 AND PC250

The P142, P152 and PC250 are designed to mount directly to a wall. Each speaker has two keyholes on the back, and will require (2) 1-1/2," #10 wood screws fastened to a wall stud. If a wall stud is unavailable, install an anchor appropriate for a 1-1/2," #10 screw.

NOTE: The customer is responsible for the correct selection and use of mounting hardware (available through hardware stores) that will ensure the proper and safe wall-mounting of the speakers.

Figure 4.



Step 1.
Mark the positions on the wall where you would like to place the mounting screws.

Step 2.
Fasten two 1-1/2," #10 wood screws to the wall using the markings placed in Step 1 as your guide. Leave an 11/16" space between the wall and screwhead. If a wall stud is not available, use an appropriate anchor.

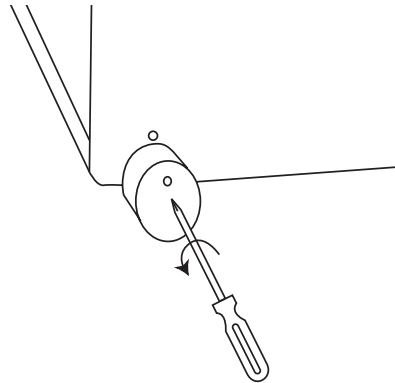
Step 3.
Place the speaker on the wall by aligning the keyholes on the back of the speaker to the screwheads on the wall. Once positioned properly, the speaker should slide down slightly and become secure.

The P142 also allows the use of third-party wall brackets using the 1/4"-20 threaded insert located beneath the keyhole mount. Consult the wall-bracket manufacturer for selection of proper bracket.

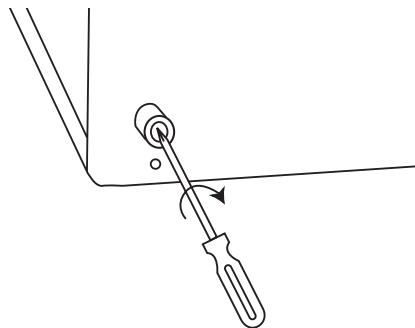
CHANGING THE P252 AND P362 FEET

The P252 and P362 feature attractive outboard feet, installed at the factory. However, if you would like to replace them with the less visible inboard feet (included), follow the instructions below.

1. Remove the four feet on the bottom of the speaker by loosening the screw in each foot. Keep the screws for later use.



2. Remove the rubber plug from each inner hole (and save for possible future use).
3. Attach the black inboard feet to the inner holes from which you just removed the rubber plugs, using the same screws you just removed.
4. Hand-tighten securely, using a handheld Phillips (+ tip) screwdriver. **Do not** use a powered screwdriver of any type.



CAUTION: Floorstanding (tower) loudspeakers have a high center of gravity and may become unstable and tip over during earthquakes, or if rocked, tipped or improperly positioned. If this is a concern, these speakers should be anchored to the wall behind them, using the same procedures and hardware customary for anchoring bookcases and wall units. The customer is responsible for proper installation and proper selection of hardware.

WIRING THE SYSTEM

IMPORTANT: Make sure all equipment is turned off before making any connections.

For speaker connections, use a minimum #16-gauge speaker wire with polarity coding. The side of the wire with a ridge or other coding is usually considered positive polarity (i.e., +).

NOTE: If desired, consult your local Infinity dealer about speaker wire and connection options.

The speakers have coded terminals that accept a variety of wire connectors. The most common connection is shown in Figure 5.

To ensure proper polarity, connect each + terminal on the back of the amplifier or receiver to the respective + (red) terminal on each speaker, as shown in Figure 6. Connect the - (black) terminals in a similar way. See the owner's guides that were included with your amplifier, receiver and television to confirm connection procedures.

IMPORTANT: Do not reverse polarities (i.e., + to - or - to +) when making connections. Doing so will cause poor imaging and diminished bass response.

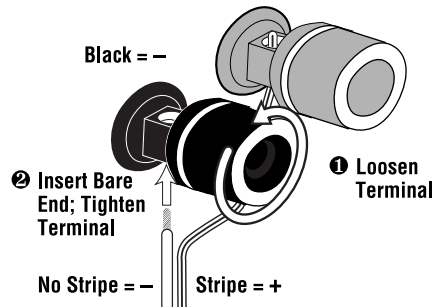


Figure 5. This example shows how to connect bare wires to the terminals.

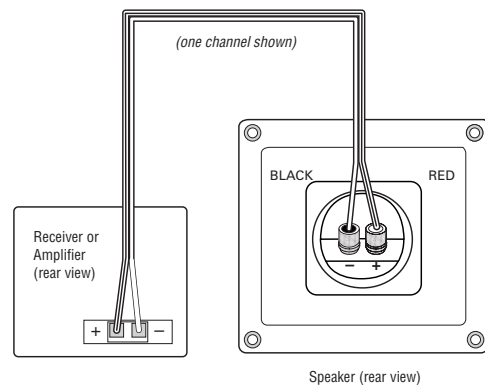


Figure 6. Wiring diagram shows polarity connections for one channel of a stereo or home theater system.

FINAL ADJUSTMENTS

Check the speakers for playback, first by setting the system volume control to a minimum level, and then by applying power to your audio system. Play a favorite music or video segment and increase the system volume control to a comfortable level.

NOTE: You should hear balanced audio reproduction across the entire frequency spectrum. If not, check all wiring connections or consult the authorized Infinity dealer from whom you purchased the system for more help.

The amount of bass you hear and the stereo-image quality will be affected by a number of different factors, including the room's size and shape, the construction materials used to build the room, the listener's position relative to the speakers, and the position of the speakers in the room.

Listen to a variety of music selections and note the bass level. If there is too much bass, move the speakers away from nearby walls. Conversely, if you place the speakers closer to the walls, there will be more bass output.

Nearby reflecting surfaces can adversely affect stereo-imaging quality. If this happens, try angling the speakers slightly inward toward the listening position until the optimum effect is achieved.

CARE OF YOUR SPEAKER SYSTEM

Each Primus series cabinet has a wood-grain-vinyl finish that does not require any routine maintenance. When needed, use a soft cloth to remove any fingerprints or dust. Clean the grille by gentle vacuuming.

NOTE: Do not use any cleaning products or polishes on the cabinet or grille.

In the event that your Infinity speaker needs service, contact your Infinity dealer or distributor, or visit www.infinitysystems.com for the location of the nearest service center.

SPECIFICATIONS

	P142	P152	P162
Frequency Range ($\pm 3\text{dB}$):	100Hz – 20,000Hz	58Hz – 20,000Hz	49Hz – 20,000Hz
Recommended Amplifier Power Range:	10 – 100 watts	10 – 100 watts	10 – 150 watts
Sensitivity: (2.83V @ 1 meter)	86dB	88dB	90dB
Nominal Impedance:	8 Ω	8 Ω	8 Ω
Crossover Frequency:	3000Hz; 24dB/octave	3300Hz; 24dB/octave	3000Hz; 24dB/octave
Low-Frequency Driver:	4" (100mm) MMD [®] magnetically shielded	5-1/4" (130mm) MMD [®] magnetically shielded	6-1/2" (165mm) MMD [®] magnetically shielded
High-Frequency Driver:	3/4" (19mm) MMD, magnetically shielded	3/4" (19mm) MMD, magnetically shielded	3/4" (19mm) MMD, magnetically shielded
Dimensions (H x W x D): (with grille)	9-7/8" x 5-15/16" x 6-13/16" (251mm x 150mm x 173mm)	13" x 7-3/8" x 10-1/2" (330mm x 187mm x 267mm)	14-3/4" x 8-1/4" x 11" (375mm x 208mm x 280mm)
Weight:	7 lb (3.2kg)	13.5 lb (6kg)	16.1 lb (7.3kg)

	P252	P362	PC250	PC350
Frequency Range ($\pm 3\text{dB}$):	49Hz – 20,000Hz	38Hz – 20,000Hz	80Hz – 20,000Hz	80Hz – 20,000Hz
Recommended Amplifier Power Range:	10 – 150 watts	10 – 200 watts	10 – 150 watts	10 – 150 watts
Sensitivity: (2.83V @ 1 meter)	92dB	93dB	90dB	91dB
Nominal Impedance:	8 Ω	8 Ω	8 Ω	8 Ω
Crossover Frequency:	2500Hz; 24dB/octave	350Hz, 3300Hz; 24dB/octave	3000Hz; 24dB/octave	650Hz, 2800Hz; 24dB/octave
Low-Frequency Drivers:	Dual 5-1/4" (130mm) MMD [®] magnetically shielded	Dual 6-1/2" (165mm) MMD [®] magnetically shielded	Dual 5-1/4" (133mm) MMD [®] magnetically shielded	Dual 5-1/4" (133mm) MMD [®] magnetically shielded
Mid-Frequency Driver(s):	N/A	4" (100mm) MMD, magnetically shielded	N/A	Dual 3" (75mm) MMD, magnetically shielded
High-Frequency Driver:	3/4" (19mm) MMD, magnetically shielded	3/4" (19mm) MMD, magnetically shielded	3/4" (19mm) MMD, magnetically shielded	3/4" (19mm) MMD, magnetically shielded
Dimensions (H x W x D): (with grille)	35-3/4" x 7-3/8" x 11-3/4" (908mm x 187mm x 300mm)	39-1/4" x 8-1/4" x 13" (997mm x 208mm x 330mm)	7-5/8" x 18" x 9-5/8" (194mm x 457mm x 245mm)	7-3/8" x 23-7/8" x 9-1/4" (187mm x 606mm x 235mm)
Weight:	35.3 lb (16kg)	48.5 lb (22kg)	17.6 lb (8kg)	25 lb (11.4kg)

Infinity continually strives to update and improve existing products, as well as create new ones. The specifications and construction details in this and related Infinity publications are therefore subject to change without notice.

NOTES

NOTES



TECHNOLOGY • PERFORMANCE • DESIGN

© 2006 Harman International Industries, Incorporated. All rights reserved.

Infinity Systems, 250 Crossways Park Drive, Woodbury, NY 11797 USA 516.674.4463 (USA only) www.infinitysystems.com

Infinity, Infinity Primus and MMD are trademarks of Harman International Industries, Incorporated, registered in the United States and/or other countries.

Metal Matrix Diaphragm is a trademark of Harman International Industries, Incorporated.

Part No. 406-000-05514-E 9/06

H A Harman International Company

Declaration of Conformity



We, Harman Consumer Group International
2, route de Tours
72500 Château du Loir
France

declare in own responsibility that the products described
in this owner's manual are in compliance with technical
standards:

EN 61000-6-3:2001
EN 61000-6-1:2001

Laurent Rault
Harman Consumer Group International
Château du Loir, France 9/06